

4 3 2 1

F

F

E

E

D

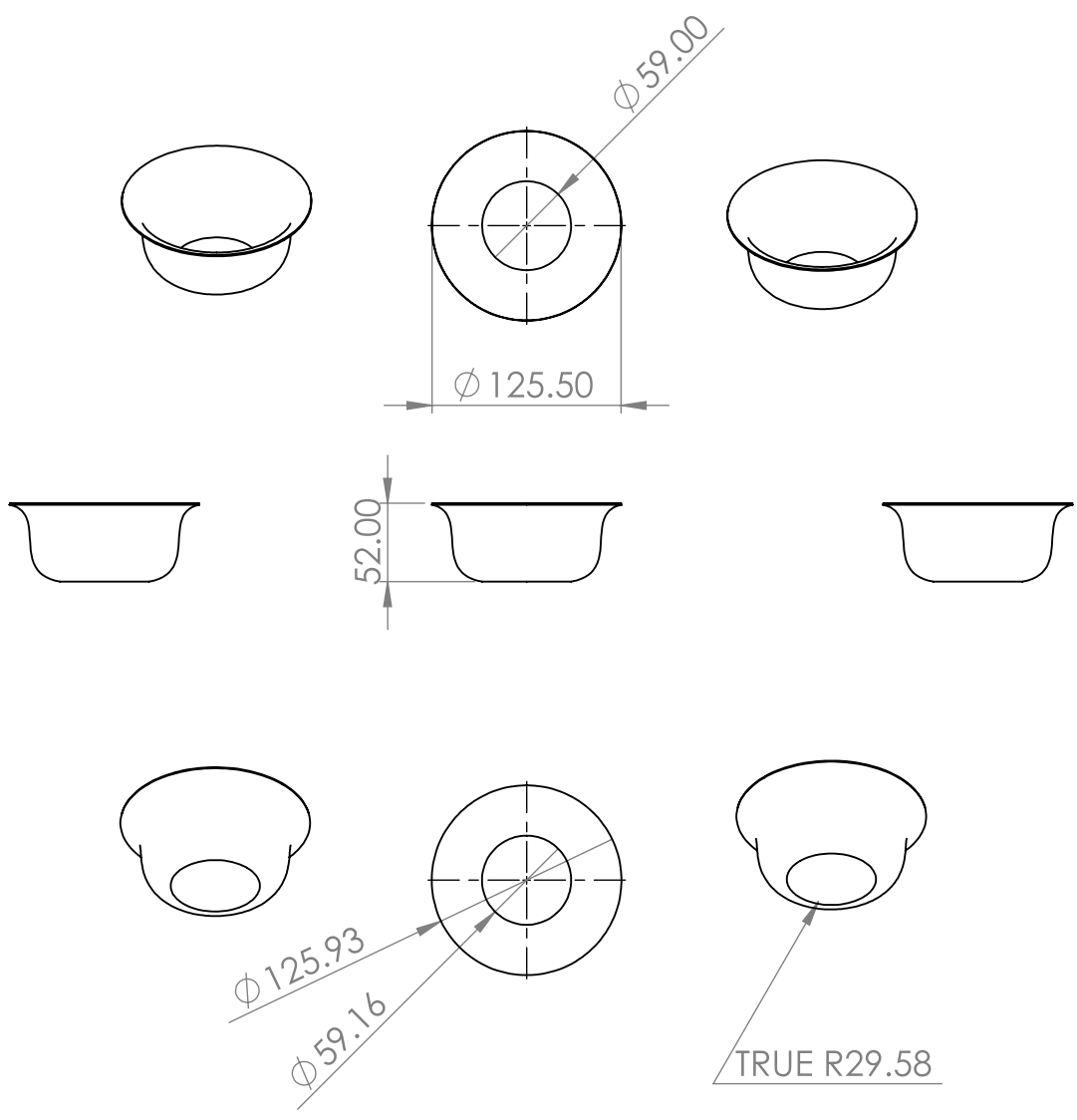
D

C

C

B

B



UNLESS OTHERWISE SPECIFIED:
 DIMENSIONS ARE IN MILLIMETERS
 SURFACE FINISH: Ok
 TOLERANCES: Ok
 LINEAR: Ok
 ANGULAR: Ok

FINISH:
 12/13/20

DEBURR AND
 BREAK SHARP
 EDGES
 Ok

DO NOT SCALE DRAWING

REVISION

12/13/20

	NAME	SIGNATURE	DATE
DRAWN	Wellington	A. Milani	12/13/20
CHK'D	A. Milani	A. Milani	12/13/20
APPV'D	A. Milani	A. Milani	12/13/20
MFG	A. Milani	A. Milani	12/13/20
Q.A	A. Milani	A. Milani	12/13/20

TITLE:
Modelo: POTE01
 *** Configurações ***

MATERIAL:
ABS

DWG NO.
Montagem: POTE01

A4

WEIGHT:

SCALE: 1:5

SHEET 1 OF 1

4 3 2 1

A

A