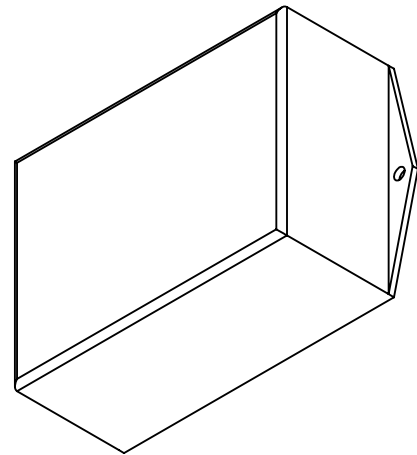
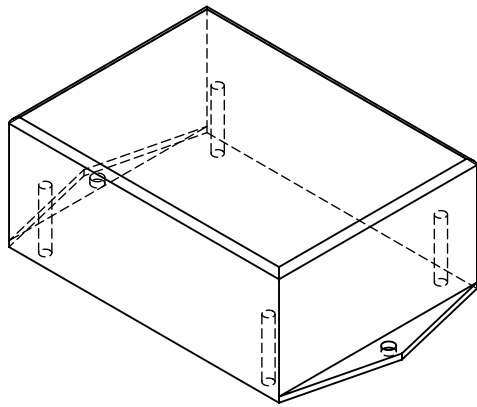


4 3 2 1

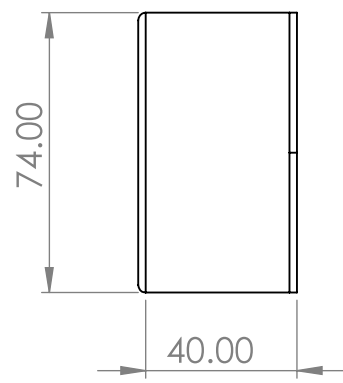
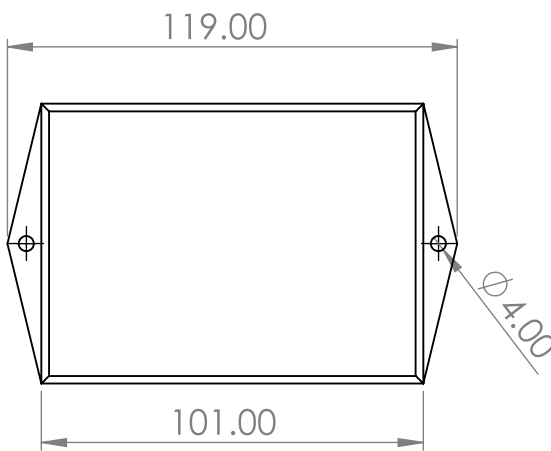
F

F



E

E

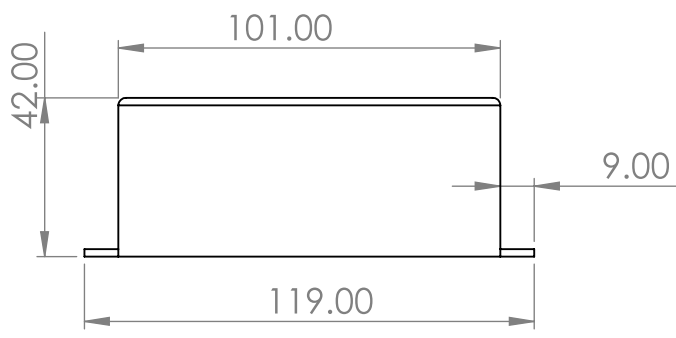


D

D

C

C



B

B

UNLESS OTHERWISE SPECIFIED:
DIMENSIONS ARE IN MILLIMETERS
SURFACE FINISH: --
TOLERANCES: --
LINEAR: --
ANGULAR: --

FINISH: Ok
DEBURR AND BREAK SHARP EDGES: Ok

| | |
|----------------------|----------|
| DO NOT SCALE DRAWING | REVISION |
| Ok | Ok |

| | NAME | SIGNATURE | DATE | |
|--------|------------|-----------|----------|--|
| DRAWN | Wellington | A. Milani | 12/12/20 | |
| CHK'D | A. Milani | A. Milani | 12/12/20 | |
| APPV'D | A. Milani | A. Milani | 12/12/20 | |
| MFG | A. Milani | A. Milani | 12/12/20 | |
| Q.A | A. Milani | A. Milani | 12/12/20 | |

TITLE: **SR 05** Modelo SR-05
*** Configurações ***
DWG NO. **Montagem SR-16** A4
SCALE: 1:2 SHEET 1 OF 1

A

A

4 3 2 1