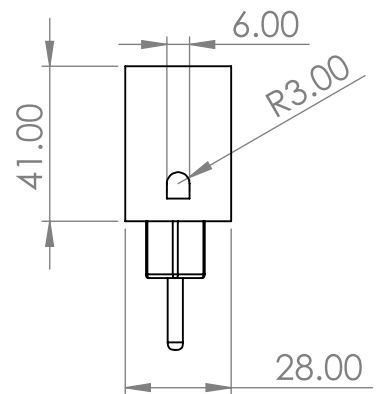
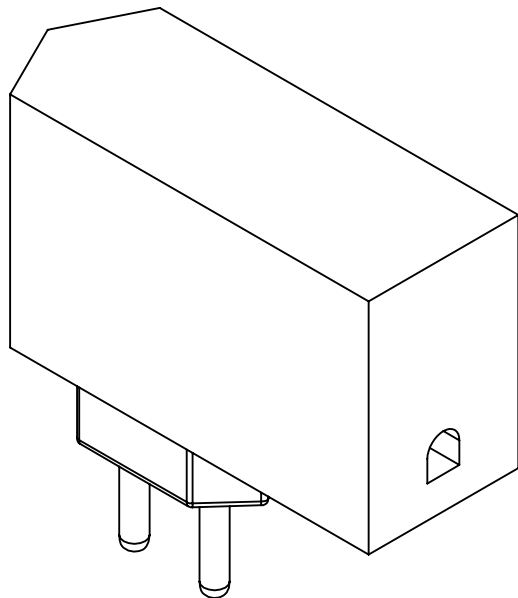


4 3 2 1

F

F

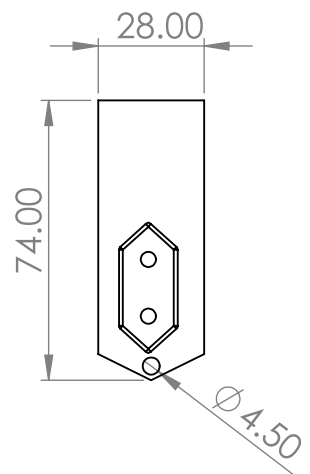
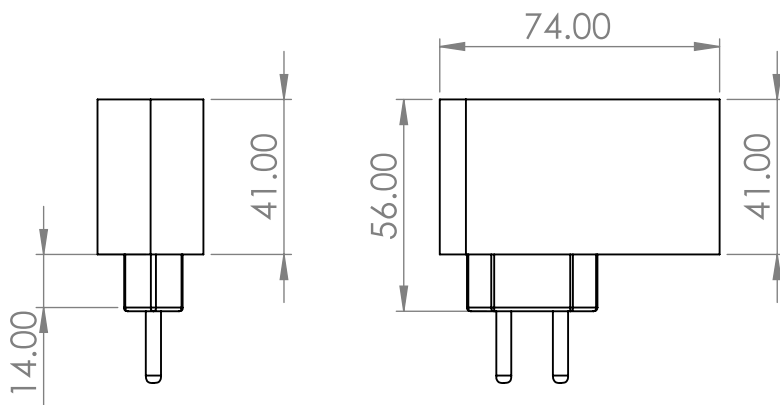


E

E

D

D



C

C

B

B

UNLESS OTHERWISE SPECIFIED:
DIMENSIONS ARE IN MILLIMETERS
SURFACE FINISH: Ok
TOLERANCES: Ok
LINEAR: Ok
ANGULAR: Ok

FINISH:
12/13/20

DEBURR AND
BREAK SHARP
EDGES
Ok

DO NOT SCALE DRAWING

REVISION

12/13/20

	NAME	SIGNATURE	DATE	
DRAWN	Wellington	A. Milani	12/13/20	
CHK'D	A. Milani	A. Milani	12/13/20	
APPV'D	A. Milani	A. Milani	12/13/20	
MFG	A. Milani	A. Milani	12/13/20	
Q.A	A. Milani	A. Milani	12/13/20	
				MATERIAL:
				ABS
				WEIGHT:

TITLE:		SL18 *** Configurações ***	A4
Modelo:			
Montagem:			
DWG NO.		SL18	
SCALE:1:1		SHEET 1 OF 1	

A

A

4 3 2 1