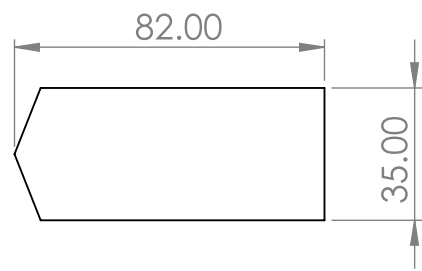
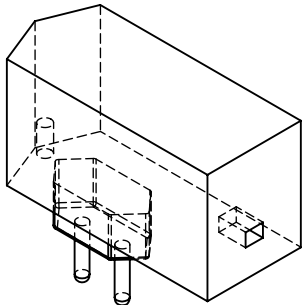


4 3 2 1

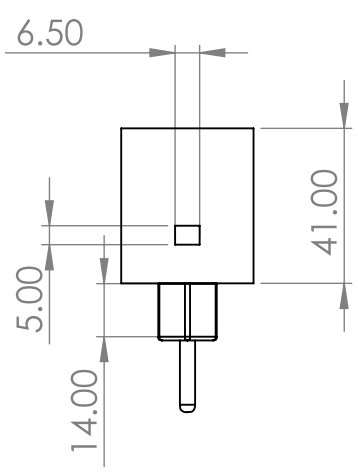
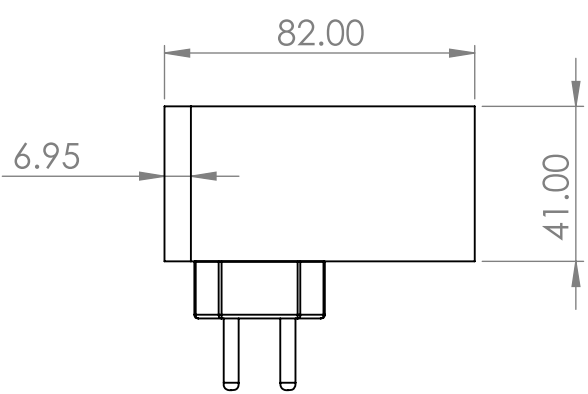
F

F



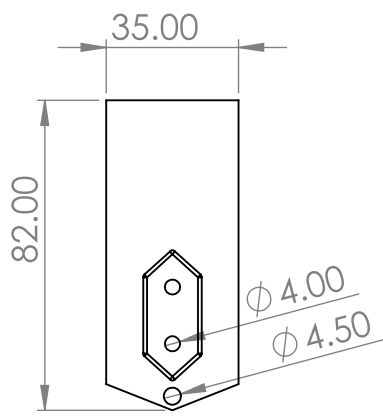
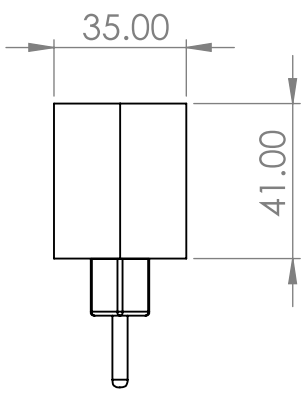
E

E



D

D



C

C

B

B

UNLESS OTHERWISE SPECIFIED:  
DIMENSIONS ARE IN MILLIMETERS  
SURFACE FINISH: Ok  
TOLERANCES: Ok  
LINEAR: Ok  
ANGULAR: Ok

FINISH:  
12/13/20

DEBURR AND  
BREAK SHARP  
EDGES  
Ok

DO NOT SCALE DRAWING

REVISION

12/13/20

	NAME	SIGNATURE	DATE
DRAWN	Wellington	A. Milani	12/13/20
CHK'D	A. Milani	A. Milani	12/13/20
APPV'D	A. Milani	A. Milani	12/13/20
MFG	A. Milani	A. Milani	12/13/20
Q.A	A. Milani	A. Milani	12/13/20
MATERIAL: <b>ABS</b>			
WEIGHT:			

TITLE: <b>Modelo: SL15H</b>	
*** Configurações ***	
DWG NO. <b>Montagem: SL15H</b>	<b>A4</b>
SCALE: 1:2	SHEET 1 OF 1

A

A

4 3 2 1